

**9:1 Transmission Line Step-up Transformer
5-220MHz**

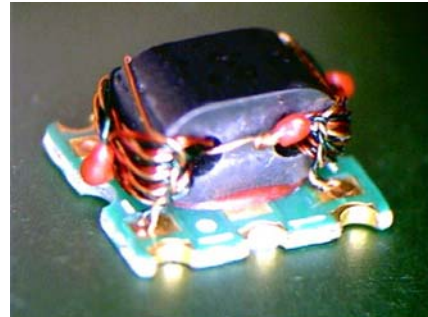
**MABA-007488-CT9550
V1P**

Features

- Surface Mount
- 9:1 Impedance
- Excellent amplitude and phase balance
- Can be used in both 50 Ω and 75 Ω systems
- 260°C Reflow Compatible
- RoHS* Compliant
- RoHS version of MABAES0022
- Available on Tape and Reel. Reel quantity 900

Description

M/ACom's MABA-007488-CT9550 is a 9:1 Transmission Line step up transformer in a low cost, surface mount package. Ideally suited for high volume



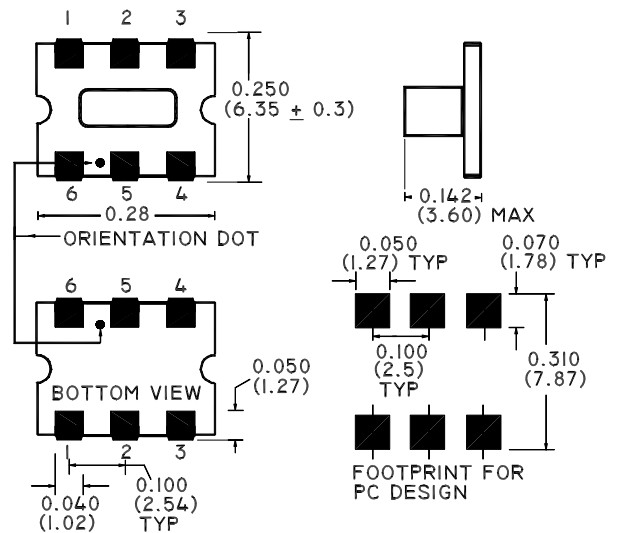
Pin Configuration

Function	Config 1 Pin No.	Config 2 Pin No.
Input	6	4
Output 1	1	3
Output 2	3	1
Ground	4	6
Not connected	2,5	2,5

Ordering Information

Part Number	Package
MABA-007488-CT9550TR	900 piece reel
MABA-007488-CT95TB	Customer Test Board

Case Style: SM-55



Dimensions in inches [mm] Tolerance: .xx ± .02, .xxx ± .010

Note: Reference Application Note **M513** for reel size information.

* Restrictions on Hazardous Substances, European Union Directive 2002/95/EC.

1

M/A-COM Inc. and its affiliates reserve the right to make changes to the product(s) or information contained herein without notice. M/A-COM makes no warranty, representation or guarantee regarding the suitability of its products for any particular purpose, nor does M/A-COM assume any liability whatsoever arising out of the use or application of any product(s) or information.

- **North America** Tel: 800.366.2266 / Fax: 978.366.2266
- **Europe** Tel: 44.1908.574.200 / Fax: 44.1908.574.300
- **Asia/Pacific** Tel: 81.44.844.8296 / Fax: 81.44.844.8298

Visit www.macom.com for additional data sheets and product information.

**9:1 Transmission Line Step-up Transformer
5-220MHz**

**MABA-007488-CT9550
V1P**

Electrical Specifications: $T_A = 25^\circ\text{C}$, $Z_0 = 75\Omega$

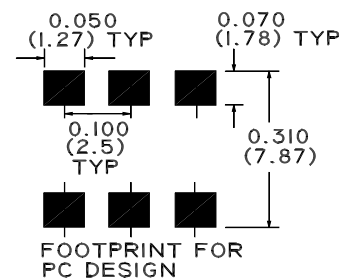
Parameter	Units	Typical	Minimum	Maximum
Frequency Range 5-220	MHz			
Insertion Loss 1 {From Pin 6 to 1 & From Pin 4 to 3} (Short Connections)				
5 - 155 MHz	dB	0.2	—	0.5
155-220 MHz	dB	0.8	—	1.0
Amplitude Imbalance 1				
5 - 55 MHz	dB	0.03	—	0.2
55 -155 MHz	dB	0.04	—	0.3
155 -220 MHz	dB	0.14	—	0.5
Phase Imbalance 1				
5-55 MHz	°	0.5	—	1.0
55 -155 MHz	°	1.1	—	2.0
155 -220 MHz	°	1.5	—	2.5
Insertion Loss 2 {From Pin 6 to 3 & From Pin 4 to 1}				
(Cross connections)				
5 - 55 MHz	dB	0.8	—	1.0
55-100 MHz	dB	1.0	—	1.2
100-220 MHz	dB	1.4	—	1.8
Amplitude Imbalance 2				
5 - 55 MHz	dB	0.03	—	0.2
55 -155 MHz	dB	0.04	—	0.3
155 -220 MHz	dB	0.14	—	0.5
Phase Imbalance 2				
5-55 MHz	°	1.0	—	2.0
55 -100 MHz	°	1.4	—	3.0
100 -220 MHz	°	2.5	—	4.0
Input Return Loss	dB	10	8	—

Absolute Maximum Ratings ^{1,2}

Parameter	Absolute Maximum
Max Input Power	250mW
DC current	30mA
Operating Temperature	-20°C to +85°C
Storage Temperature	-55°C to +100°C

1. Exceeding any one or combination of these limits may cause permanent damage to this device.
2. M/A-COM does not recommend sustained operation near these survivability limits.

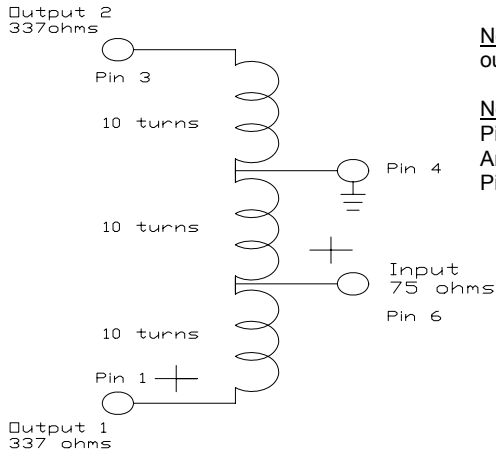
Recommended PCB Configuration



**9:1 Transmission Line Step-up Transformer
5-220MHz**

**MABA-007488-CT9550
V1P**

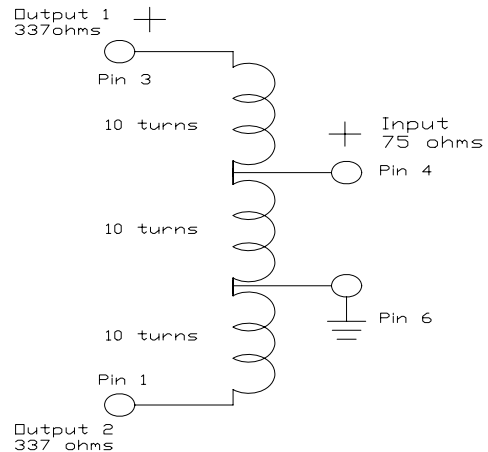
Schematic for Config 1



Note: Terminate unused output

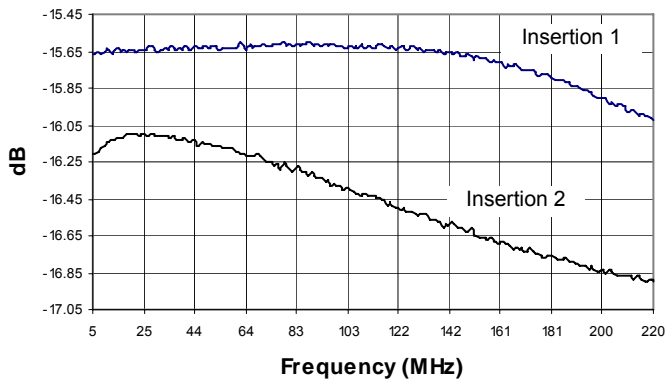
Note: When Pin 4 is the I/P
Pin 6 is ground
And when Pin 6 is the I/P
Pin 4 is ground.

Schematic for Config 2

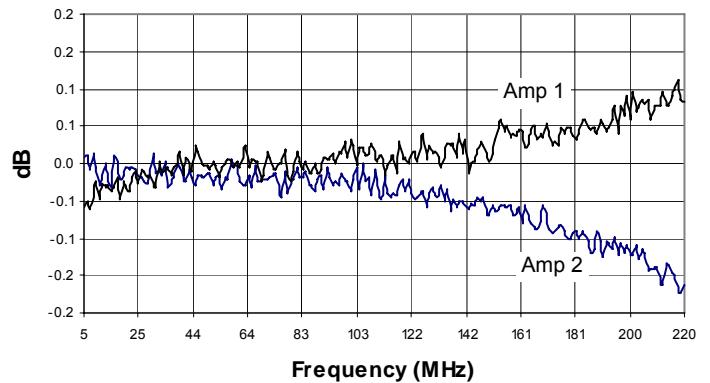


Typical Performance Curves: $T_A = 25^\circ\text{C}$, $Z_0 = 75\Omega$

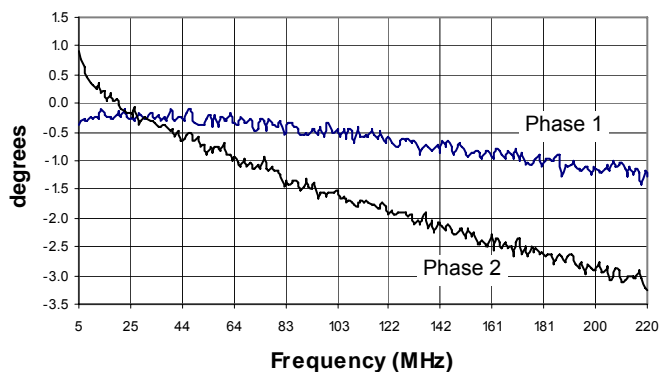
Insertion Loss 1 & 2 (Reference Value -15.45dB)



Amplitude Unbalance



Phase Balance



Input Return Loss

